



## ASSEMBLY INSTRUCTIONS (ROOF RAIL)

Product Code: MR010XX (Crown)

**FIRST TIME INSTALLATION**  
\* REMOVE PARTS FROM INSIDE THE PACKAGE AND CHECK THEM ALL  
\* CONTACT YOUR DEALER IF ANY PART IS MISSING OR DAMAGED  
\* USE THE EQUIPMENT SPECIFIED FOR INSTALLATION

**PSC CYNN (92A CHASIS E2) 11-18 (MR01042)**

**FRD FUSN 02-12 (MR01019)**

**MIT L200 (Mk4) 06-14 (MR01025)**

**VWGN TORG (7P) 11-18 (MR01049)**

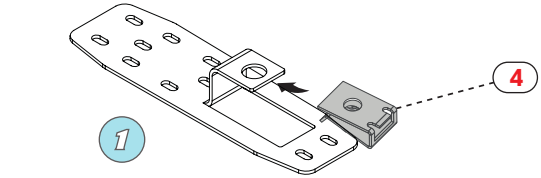
**NSS JUK (F15) 11-19 (MR01026)**

**VWGN TGN 07-16 (MR01043)**

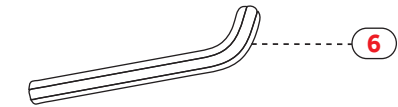
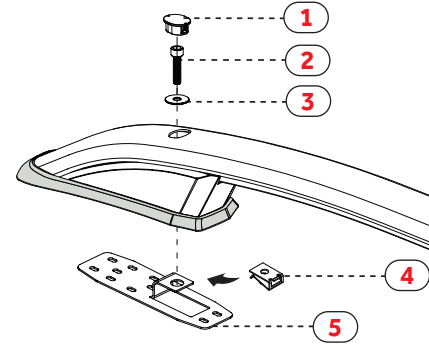
**VWGN TGN (5N) 16- (MR01043)**

**PEU 38 17- (MR01064)**

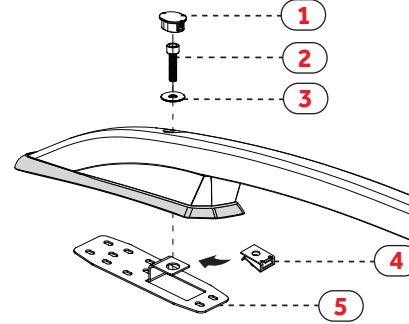
**FRD RNGR 11- (MR01080)**



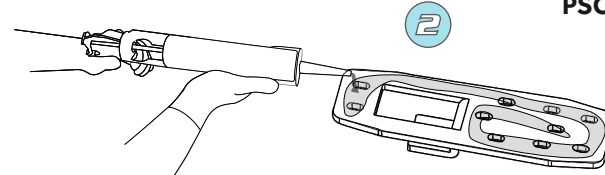
M6 klipsi metal parçada belirtilen yere takınız.  
**Attach the M6 clip to the place indicated on the metal part.**



NO	PART DESCRIPTION	QTY
1-	PLASTIC STOPPLE	4
2-	M6x25 INBUS BOLT (5Nm)	4
3-	M6 WASHER	4
4-	M6 SPEEDNUT	4
5-	ROOF BRACKET	4
6-	5mm ALLEN WRENCH	1

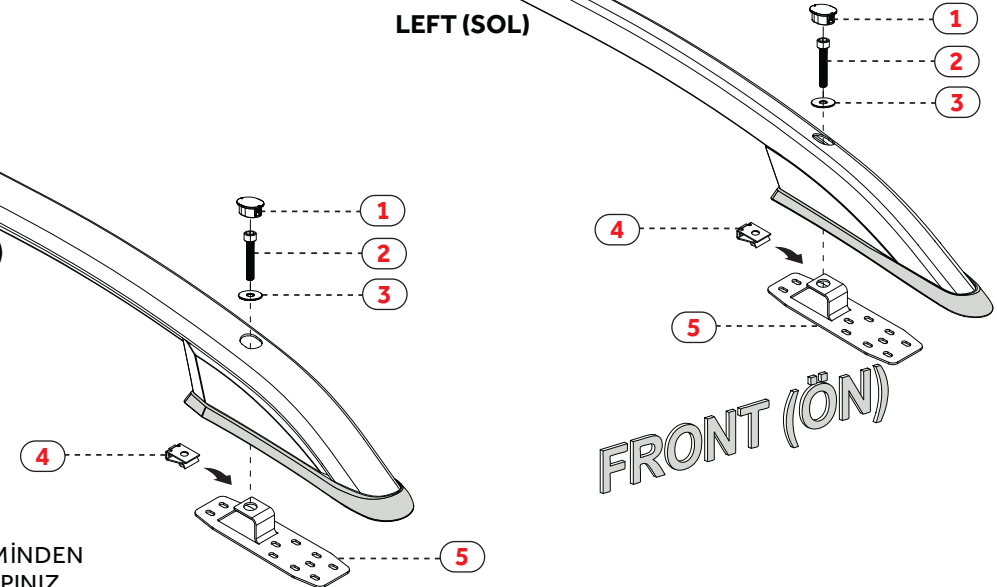


RIGHT (SAĞ)



Resimde belirtilen metal parçaların altına yapıştırıcı malzemeyi sürünüz, ardından ürünü araç tavanına hizalayıp yerleştiriniz ve yeterince kurumasını bekleyiniz.

**Apply the adhesive material to the underside of the metal parts indicated in the picture, then align and place the product on the car roof and let it dry sufficiently.**



LEFT (SOL)

FRONT (ÖN)



**ATTENTION;**  
MOUNT AFTER 24 HOURS  
FROM SILICON BONDING



**DİKKAT;**  
SİLİKONLA YAPIŞTIRMA İŞLEMİNDEN  
24 SAAT SONRA MONTAJ YAPINIZ