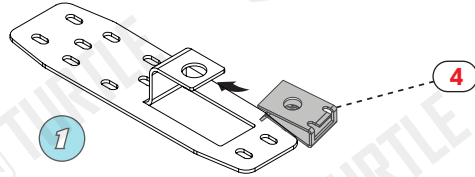


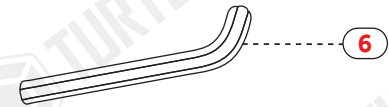
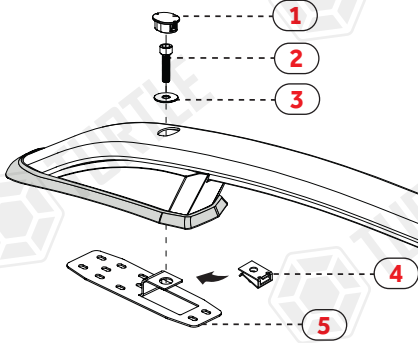


ASSEMBLY INSTRUCTIONS (ROOF RAIL)

Product Code: MR010XX (Crown)



M6 klipsi metal parçada belirtilen yere takınız.
Attach the M6 clip to the place indicated on the metal part.



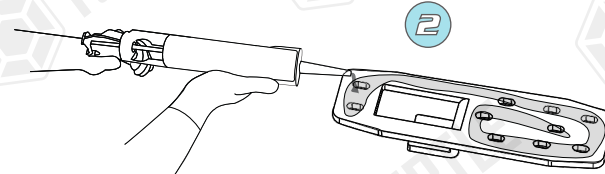
NO	PART DESCRIPTION	QTY
1-	PLASTIC STOPPLE	4
2-	M6x25 INBUS BOLT (5Nm)	4
3-	M6 WASHER	4
4-	M6 SPEEDNUT	4
5-	ROOF BRACKET	4
6-	5mm ALLEN WRENCH	1



ATTENTION;
MOUNT AFTER 24 HOURS
FROM SILICON BONDING

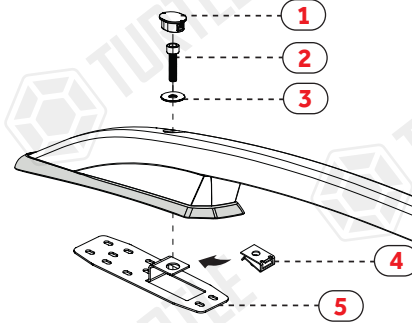


DİKKAT;
SİLİKONLA YAPIŞTIRMA İŞLEMİNDEN
24 SAAT SONRA MONTAJ YAPINIZ

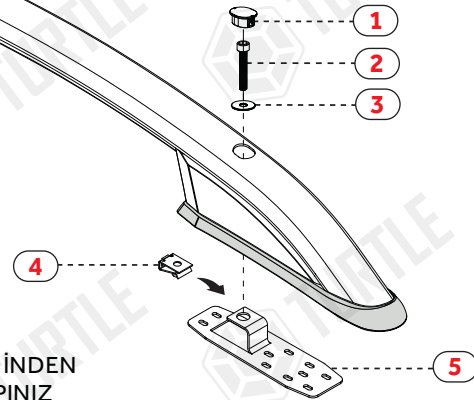


Resimde belirtilen metal parçaların altına yapıştırıcı malzemeyi sürünüz, ardından ürünü araç tavanına hizalayıp yerleştiriniz ve yeterince kurumasını bekleyiniz.

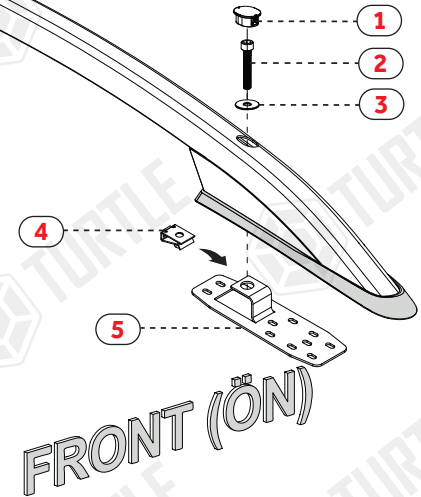
Apply the adhesive material to the underside of the metal parts indicated in the picture, then align and place the product on the car roof and let it dry sufficiently.



RIGHT (SAĞ)



LEFT (SOL)



FRONT (ÖN)

FIRST TIME INSTALLATION

- * REMOVE PARTS FROM INSIDE THE PACKAGE AND CHECK THEM ALL
- * CONTACT YOUR DEALER IF ANY PART IS MISSING OR DAMAGED
- * USE THE EQUIPMENT SPECIFIED FOR INSTALLATION

PSC CYNN (92A CHASIS E2) 11-18 (...42)

FRD FUSN 02-12 (...19)

MIT L200 (Mk4) 06-14 (...25)

VWGN TORG (7P) 11-18 (...49)

NSS JUK (F15) 11-19 (...26)

VWGN TGN 07-16 (...43)

VWGN TGN (5N) 16- (...43)

PEU 38 17- (...64)

FRD RNGR 11- (...80)