



ASSEMBLY INSTRUCTIONS (BRACKET KIT)

Product Code: MB02016 (B- TYPE)
MB03016 (E- TYPE)

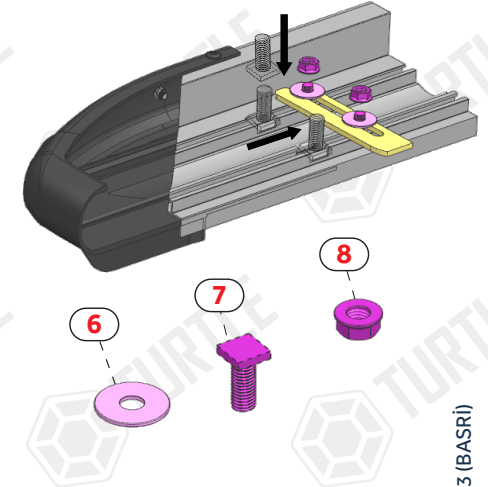
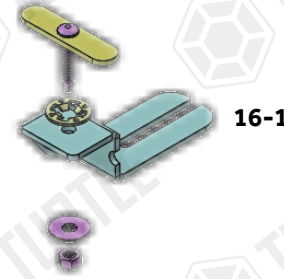
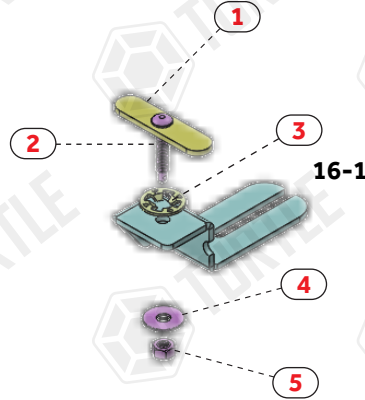
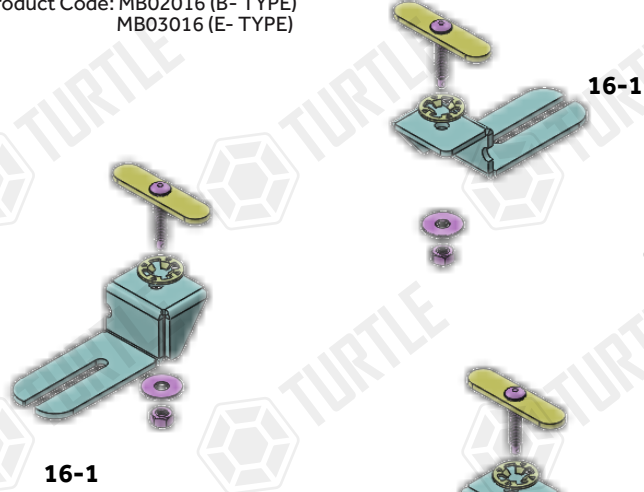
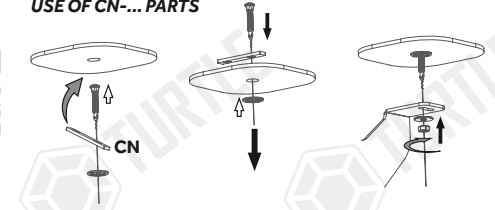
FIRST TIME INSTALLATION

- * REMOVE PARTS FROM INSIDE THE PACKAGE AND CHECK THEM ALL
- * CONTACT YOUR DEALER IF ANY PART IS MISSING OR DAMAGED
- * USE THE EQUIPMENT SPECIFIED FOR INSTALLATION

COMPATIBLE VEHICLES

CTRN NEM VAN 08-
FI FIOR VAN 08-
FI QBO MPV 08-17
PEU BPPR VAN 08-

USE OF CN-... PARTS



PACKAGE INCLUDED

1- CN-11 M8	6	ZIPLOCK BAG
2- M8 SPECIAL BOLT	6	
3- CLAMPING PIECE	6	
4- D8 WASHER	6	
5- M8 HEX NUT	6	
6- D8 WASHER	12	ZIPLOCK BAG
7- M8x20 SQUARE BOLT	12	
8- M8 FLANGE NUT	12	

CAN OTOMOTIV İNŞ. İTH. İHR. SAN. VE TİC. LTD. ŞTİ.
Veliköy OSB 4. Cadde No:20/A Çerkezköy/TEKİRDAĞ



www.canotomotiv.com.tr / turtlecancarry.com / turtlecancarry.eu / turtlecancarry.com.tr
+90 282 746 1320 info@canotomotiv.com.tr

MB02016 - MB03016 / Rev.02 / 24.10.2023 (BASRİ)