



FIRST TIME INSTALLATION

- * REMOVE PARTS FROM INSIDE THE PACKAGE AND CHECK THEM ALL
- * CONTACT YOUR DEALER IF ANY PART IS MISSING OR DAMAGED
- * USE THE EQUIPMENT SPECIFIED FOR INSTALLATION

ASSEMBLY INSTRUCTIONS (BRACKET KIT)

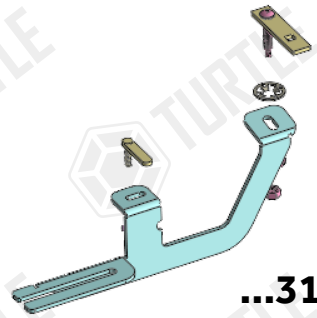
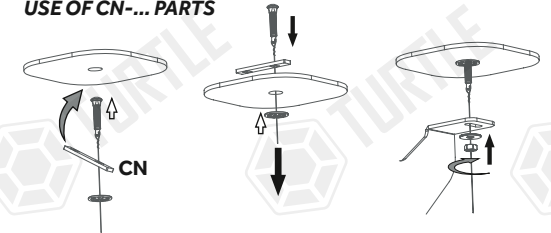
Product Code: MB02031 (B TYPE)

MB03031 (E TYPE)

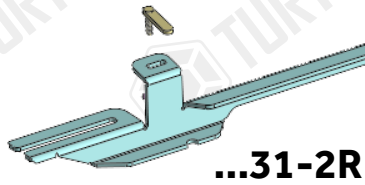
COMPATIBLE VEHICLES

FRD COUR VAN 14-

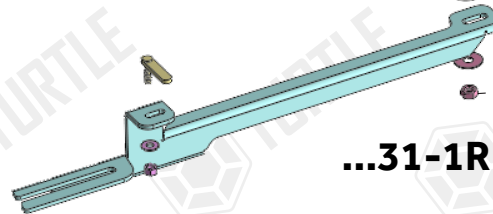
USE OF CN-... PARTS



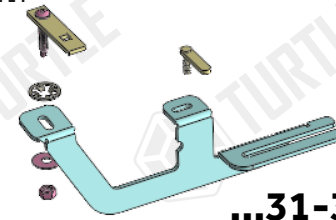
...31-3R



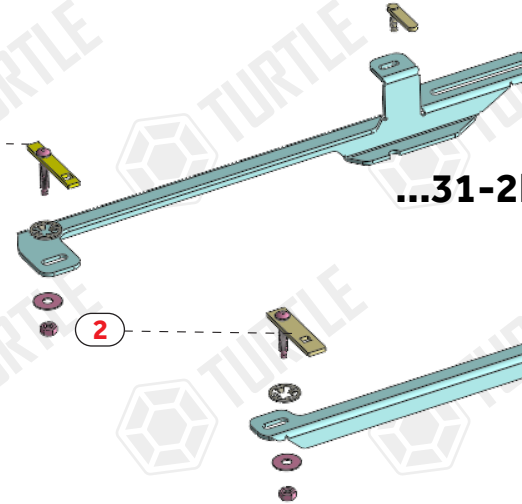
...31-2R



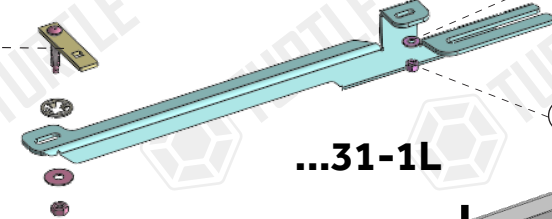
...31-1R



...31-3L



...31-2L



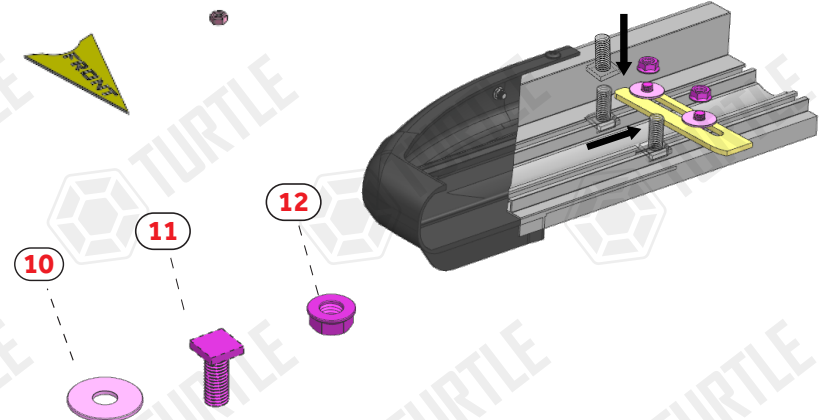
...31-1L

PACKAGE INCLUDED

1- CN-1 M8	2
2- CN-2 M8	4
3- CN-8 M6	6
4- M8 SPECIAL BOLT	6
5- CLAMPING PIECE	12
6- D8 WASHER	6
7- M8 HEX NUT	6
8- D6 WASHER	6
9- M6 HEX NUT	6
10- D8 WASHER	12
11- M8x20 SQUARE BOLT	12
12- M8 FLANGE NUT	12

ZIP LOCK BAG

ZIP LOCK BAG



MB02031/MB03031 / Rev.01/ 25.10.2023 (BASRI)