

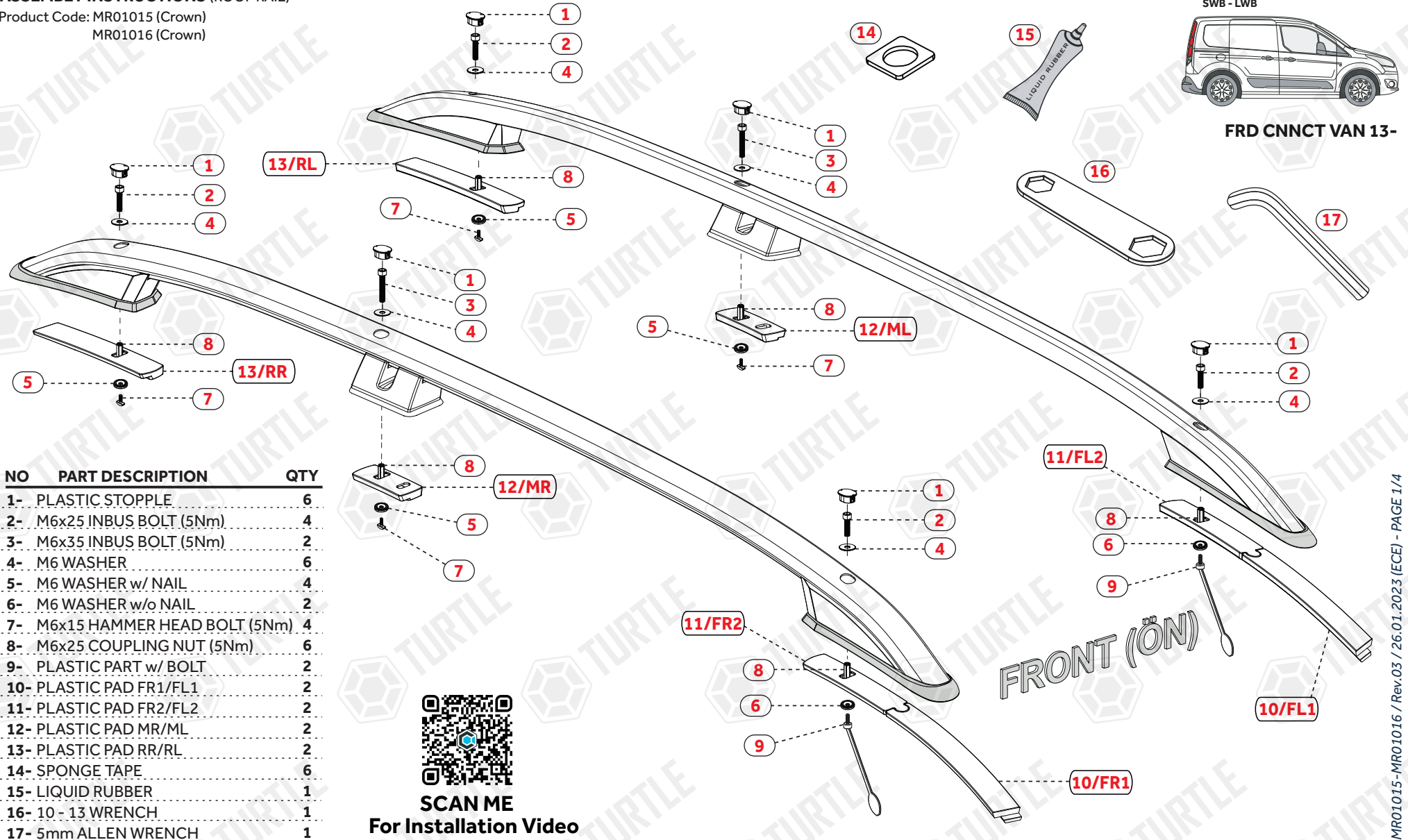


ASSEMBLY INSTRUCTIONS (ROOF RAIL)

Product Code: MR01015 (Crown)
MR01016 (Crown)

FIRST TIME INSTALLATION

- * REMOVE PARTS FROM INSIDE THE PACKAGE AND CHECK THEM ALL
- * CONTACT YOUR DEALER IF ANY PART IS MISSING OR DAMAGED
- * USE THE EQUIPMENT SPECIFIED FOR INSTALLATION



NO	PART DESCRIPTION	QTY
1-	PLASTIC STOPPLE	6
2-	M6x25 INBUS BOLT (5Nm)	4
3-	M6x35 INBUS BOLT (5Nm)	2
4-	M6 WASHER	6
5-	M6 WASHER w/ NAIL	4
6-	M6 WASHER w/o NAIL	2
7-	M6x15 HAMMER HEAD BOLT (5Nm)	4
8-	M6x25 COUPLING NUT (5Nm)	6
9-	PLASTIC PART w/ BOLT	2
10-	PLASTIC PAD FR1/FL1	2
11-	PLASTIC PAD FR2/FL2	2
12-	PLASTIC PAD MR/ML	2
13-	PLASTIC PAD RR/RL	2
14-	SPONGE TAPE	6
15-	LIQUID RUBBER	1
16-	10 - 13 WRENCH	1
17-	5mm ALLEN WRENCH	1



SCAN ME
For Installation Video



FIRST TIME INSTALLATION

- * REMOVE PARTS FROM INSIDE THE PACKAGE AND CHECK THEM ALL
- * CONTACT YOUR DEALER IF ANY PART IS MISSING OR DAMAGED
- * USE THE EQUIPMENT SPECIFIED FOR INSTALLATION

STEP 3

BEFORE ROOF RAIL MOUNTING; THE COUPLING NUTS MUST BE FIXED TO THE VEHICLE ROOF WHERE PLASTICS ARE REMOVED
"MONTAJDAN ÖNCE; TAVANDAN SÖKÜLEN PLASTİKLERİN ALTINDAKİ DELİKLERE KAPLİN SOMUNLARIN SABİTLENMESİ GEREKMEKTEDİR"

STEP 4

PARTS TO BE USED WHILE FIXING COUPLING NUTS;
PARTS OF THE FIRST HOLE 6 AND 10, PARTS OF THE THIRD AND FOURTH HOLES ARE 5 AND 7
"KAPLİN SOMUNLARI SABİTLERKEN KULLANILACAK PARÇALAR;
BİRİNCİ DELİĞE 6 VE 10 NOLU PARÇALAR, ÜÇÜNCÜ VE DÖRDÜNCÜ DELİKLERE İSE 5 VE 7 NOLU PARÇALAR"

STEP 5

AFTER ASSEMBLE THE COUPLING NUTS, LIKE SPECIFIED IN THE FIRST PAGE OF THE INSTRUCTIONS;
PLACE THE L01, L02, L03 AND L04 NUMBERED PLASTICS IN CHANNEL OF THE VEHICLE ROOF
"KAPLİN SOMUNLAR SABİTLENDİKTEN SONRA MONTAJ TALİMATININ İLK SAYFASINDA BELİRTİLDİĞİ GİBİ;
L01, L02, L03 ve L04 NOLU PLASTİKLERİ ARAÇ TAVANINDAKİ KANALA YERLEŞTİRİNİZ"

PASS THE 10 NUMBERED PIECE UNDER THE VEHICLE'S ROOF UPHOLSTERY
AND ATTACH IT FROM THE BOTTOM SIDE OF THE FRONT HOLE
"10 NUMARALI PARÇAYI ARAÇIN TAVAN DÖŞEMESİNİN ALTINDAN GEÇİRİNİZ
VE ÖN DELİĞİN ALT TARAFINDAN TAKINIZ"

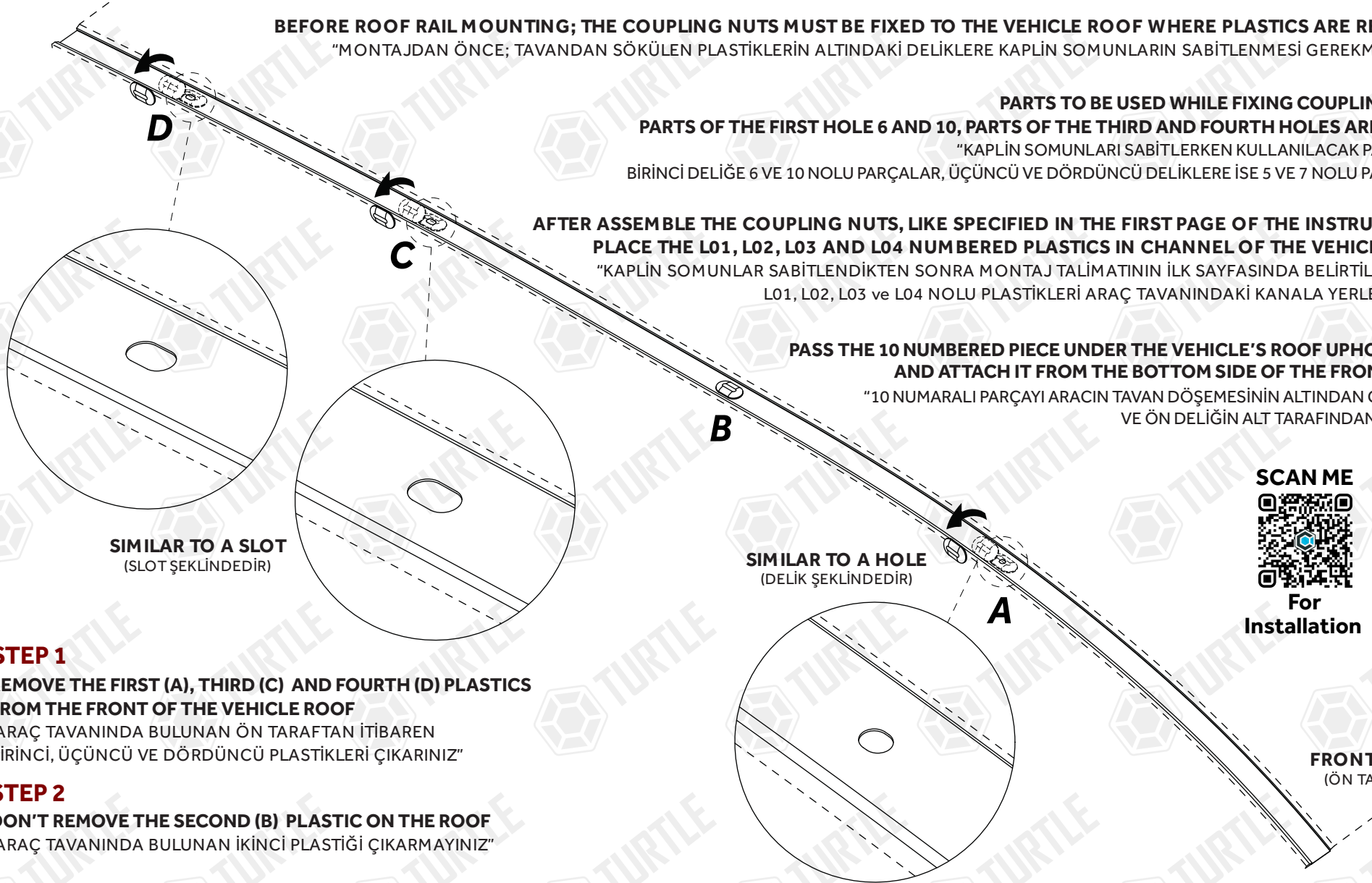
NOTE!

SCAN ME



For
Installation

FRONT SIDE
(ÖN TARAF)



SIMILAR TO A SLOT
(SLOT ŞEKLİNDEDİR)

SIMILAR TO A HOLE
(DELİK ŞEKLİNDEDİR)

STEP 1

REMOVE THE FIRST (A), THIRD (C) AND FOURTH (D) PLASTICS FROM THE FRONT OF THE VEHICLE ROOF

"ARAÇ TAVANINDA BULUNAN ÖN TARAFTAN İTİBAREN BİRİNCİ, ÜÇÜNCÜ VE DÖRDÜNCÜ PLASTİKLERİ ÇIKARINIZ"

STEP 2

DON'T REMOVE THE SECOND (B) PLASTIC ON THE ROOF

"ARAÇ TAVANINDA BULUNAN İKİNCİ PLASTİĞİ ÇIKARMAYINIZ"



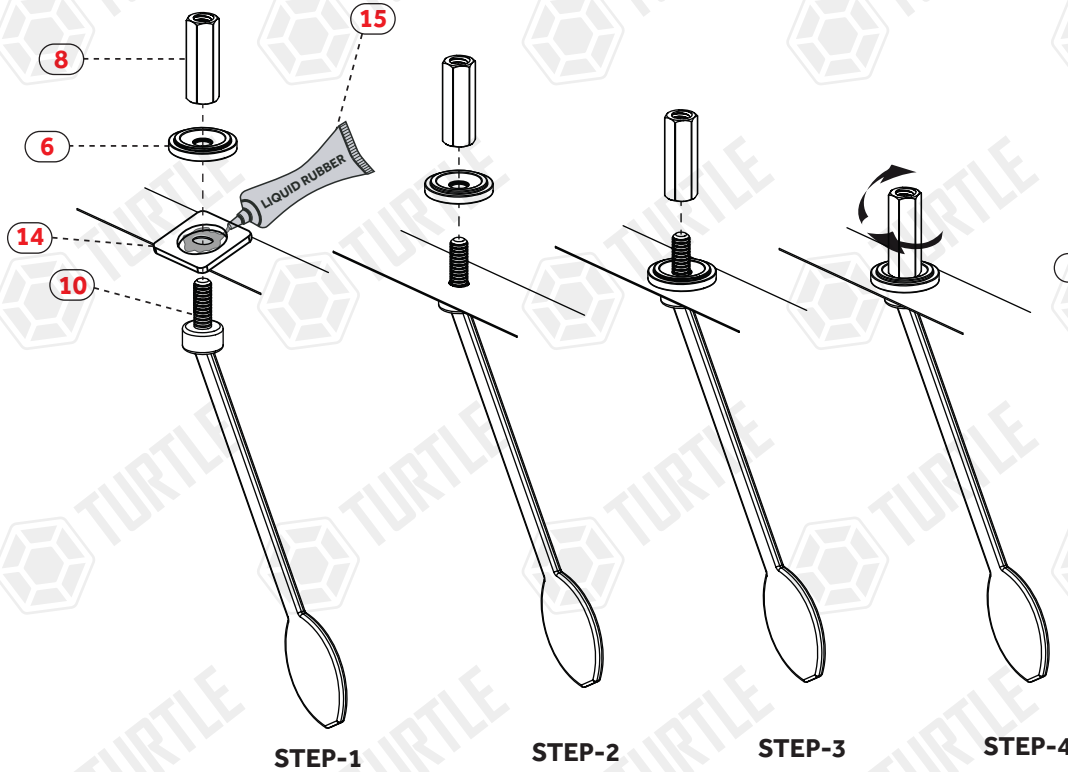
FIRST TIME INSTALLATION

- * REMOVE PARTS FROM INSIDE THE PACKAGE AND CHECK THEM ALL
- * CONTACT YOUR DEALER IF ANY PART IS MISSING OR DAMAGED
- * USE THE EQUIPMENT SPECIFIED FOR INSTALLATION

ASSEMBLY OF FIRST HOLE (İLK DELİĞİN MONTAJI)



ATTENTION: PASS THE 10 NUMBERED PIECE UNDER THE VEHICLE'S ROOF UPHOLSTERY
DİKKAT: 10 NUMARALI PARÇAYI ARACIN TAVAN DÖŞEMESİNİN ALTINDAN GEÇİRİNİZ



Application of Liquid Rubber

Stick the sponge tape around the bolt slot as shown in the figure.
Squeeze the liquid rubber in the middle of the sponge as a thick layer.
Apply in 3min before silicone dry.

Sıvı Contanın Uygulanması

Civata yuvasının etrafına süngerini şekildeki gibi yapıştırınız.
Süngerin ortasındaki boşluğa sıvı contayı bolca sıkınız.
Uygulamayı 3dk içerisinde kurumadan tamamlayınız.

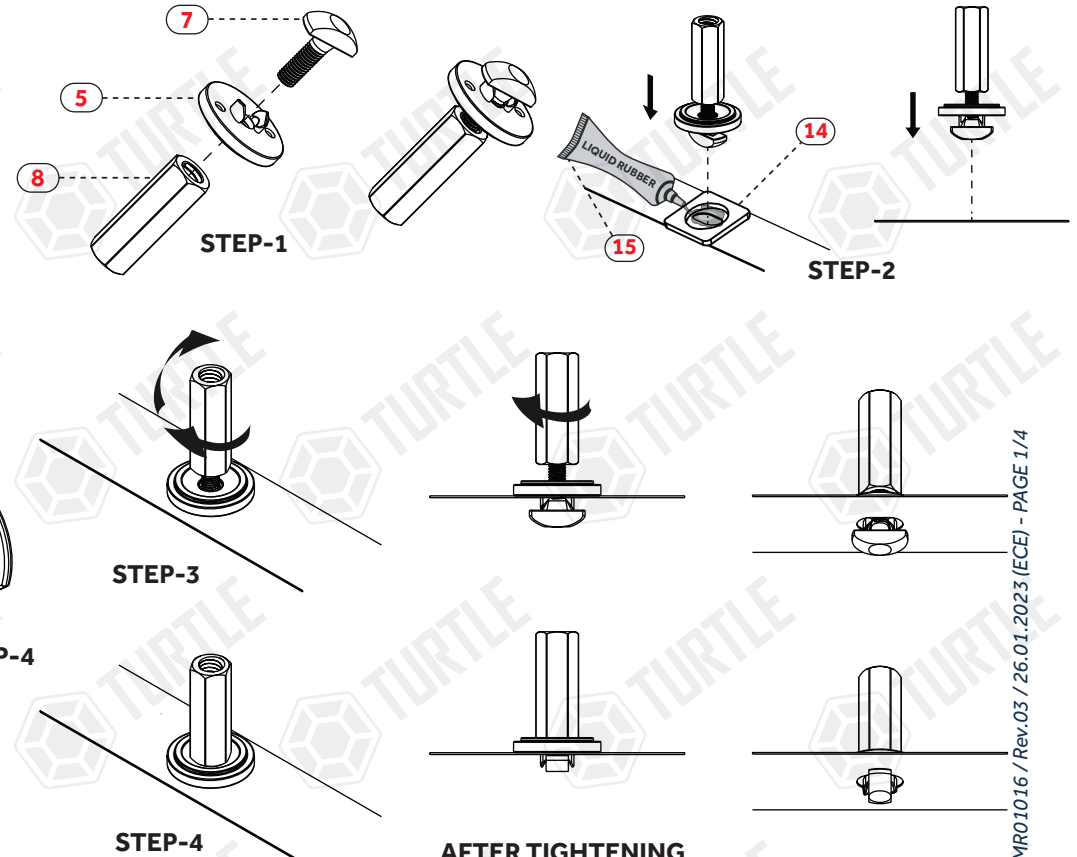
SCAN ME



For
Installation

ASSEMBLIES OF THIRD AND FOURTH HOLES (ÜÇÜNCÜ VE DÖRDÜNCÜ DELİKLERİN MONTAJI)

ASSEMBLE 5, 7 AND 8 NUMBERED PIECES LIKE SPECIFIED
DON'T TIGHTEN COMPLETELY BEFORE ATTACHING HOLE
5, 7 VE 8 NUMARALI PARÇALARI BELİRTİLDİĞİ GİBİ BİRBİRİNE TAKINIZ
ARAÇ TAVANINDAKİ DELİĞE GEÇİRMEDEN ÖNCE TAMAMEN SIKMAYINIZ



AFTER TIGHTENING
(SIKILDIKTAN SONRA)



FIRST TIME INSTALLATION

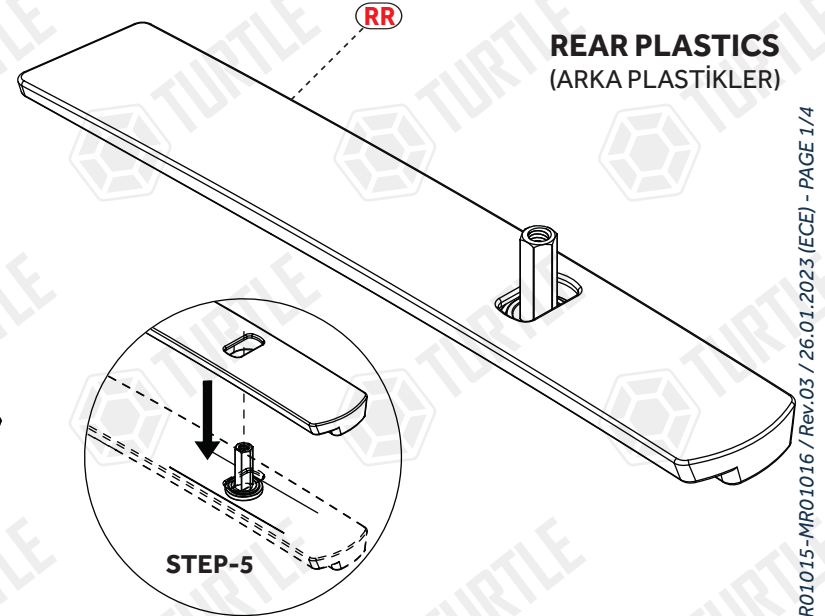
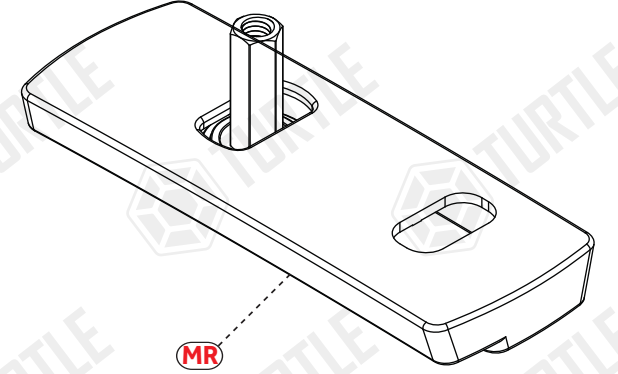
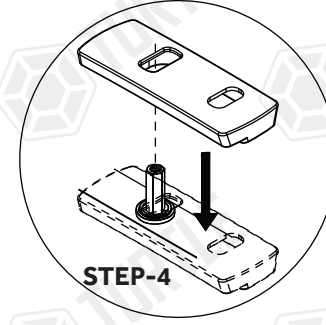
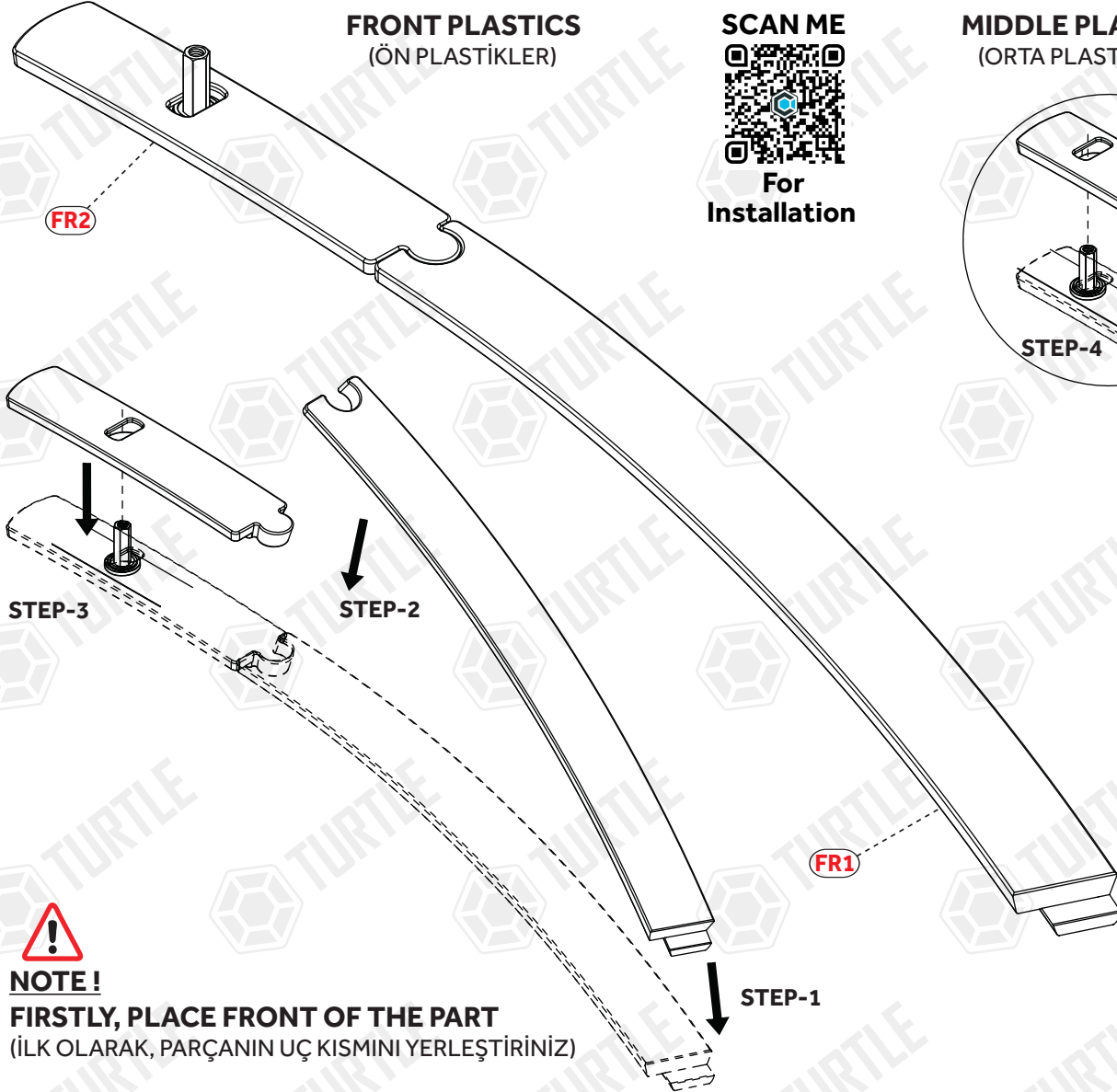
- * REMOVE PARTS FROM INSIDE THE PACKAGE AND CHECK THEM ALL
- * CONTACT YOUR DEALER IF ANY PART IS MISSING OR DAMAGED
- * USE THE EQUIPMENT SPECIFIED FOR INSTALLATION

FRONT PLASTICS (ÖN PLASTİKLER)

SCAN ME
For
Installation

MIDDLE PLASTICS (ORTA PLASTİKLER)

REAR PLASTICS (ARKA PLASTİKLER)



NOTE!
FIRSTLY, PLACE FRONT OF THE PART
(İLK OLARAK, PARÇANIN UÇ KISMINI YERLEŞTİRİNİZ)