



ASSEMBLY INSTRUCTIONS (ROOF RAIL)
Product Code: MR01040 (Crown)

COMPATIBLE VEHICLES
SZK GVTR (JT) SUV 05-14

FIRST TIME INSTALLATION

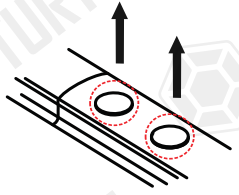
- * REMOVE PARTS FROM INSIDE THE PACKAGE AND CHECK THEM ALL
- * CONTACT YOUR DEALER IF ANY PART IS MISSING OR DAMAGED
- * USE THE EQUIPMENT SPECIFIED FOR INSTALLATION

PACKAGE INCLUDED

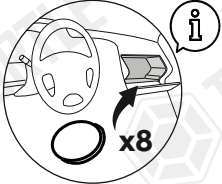
1-	CROWN STOPPLE	4
2-	M6x30 INBUS BOLT (5Nm)	4
3-	D6 WASHER	4
4-	M6 SPEED NUT	4
5-	ROOF BRACKET	4
6-	5mm ALLEN WRENCH	1

* Car's Own Bolts (Aracın Kendi Civataları)

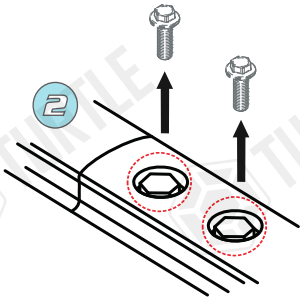
ZIPLOCK BAG



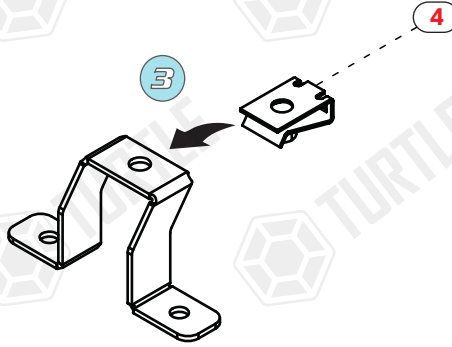
1 Tavandaki plastik kapakları sökünüz.
Remove the plastic covers from the vehicle roof.



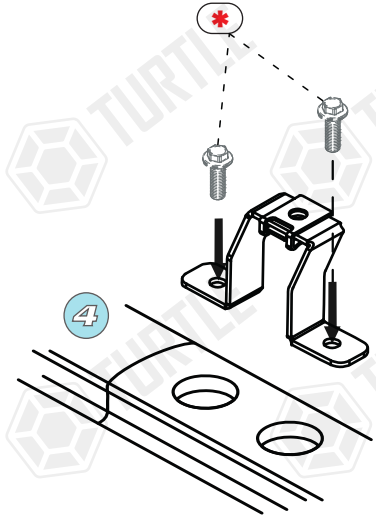
Söktüğünüz plastik kapakları saklayınız.
Keep the plastic covers you removed.



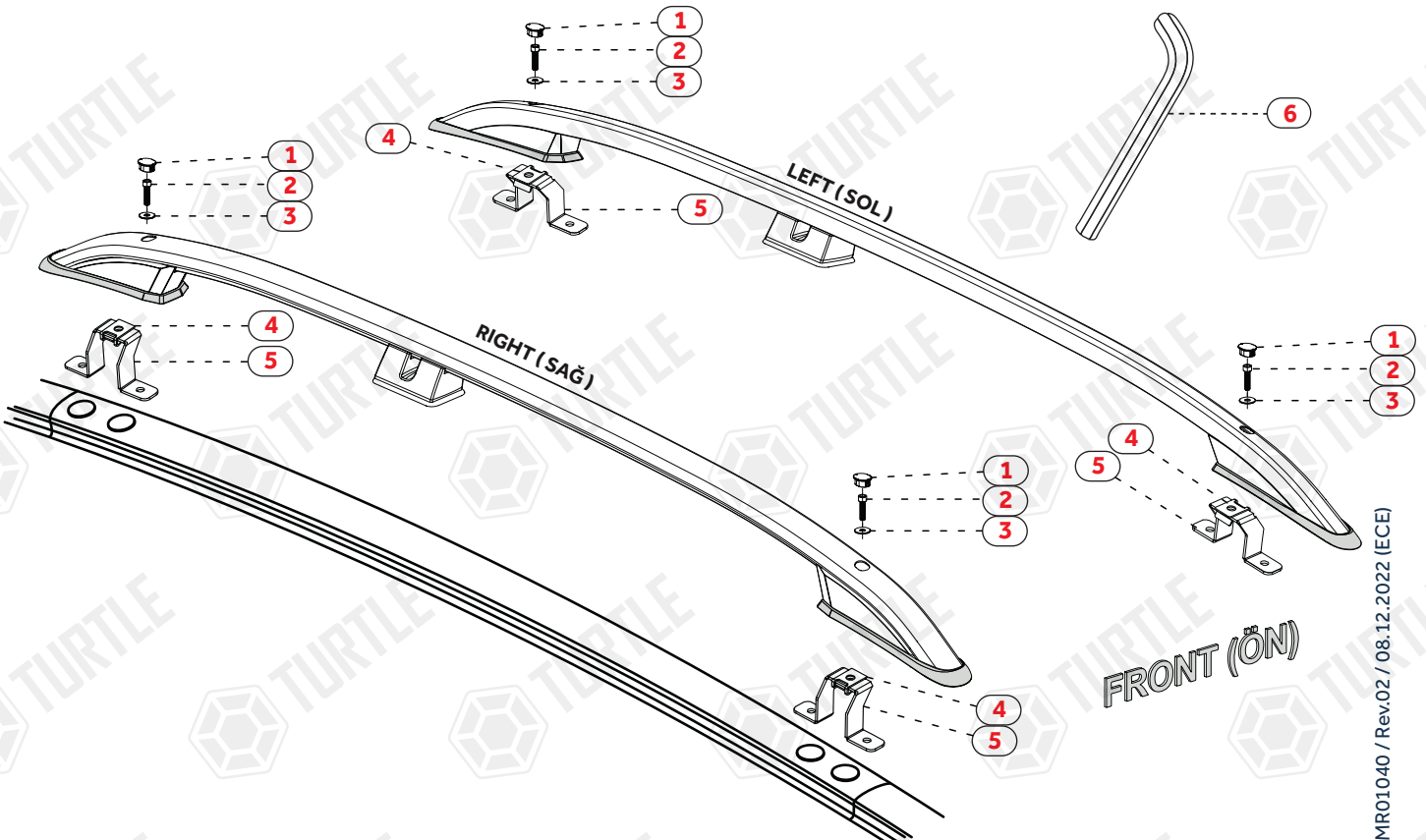
Belirtilen civataları sökünüz,
Braketler aracın kendi civataları
ile monte edilecek.
Dismantle the specified bolts,
Brackets will be mounted with
the vehicle's own bolts.



M6 klipsi metal parçaya
belirtilen yere takınız.
Attach the M6 clip to the place
indicated on the metal part.



Metal parçayı belirtildiği şekilde
yerleştirip cıvata kullanarak sıkınız.
Place the metal part as specified
and tighten using bolt .



MR01040 / Rev.02 / 08.12.2022 (ECE)